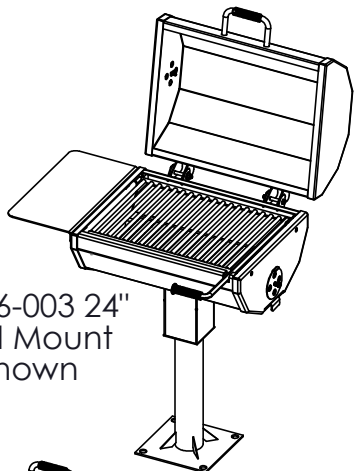
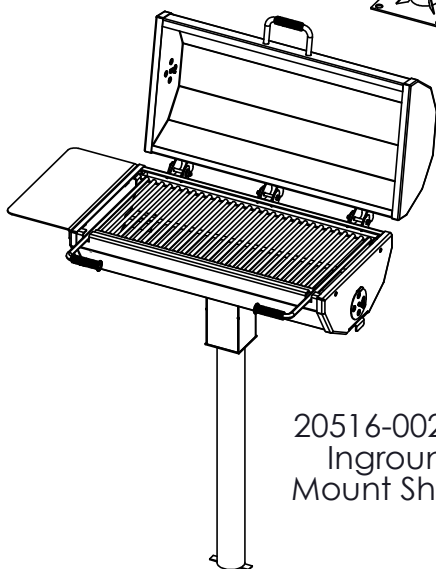


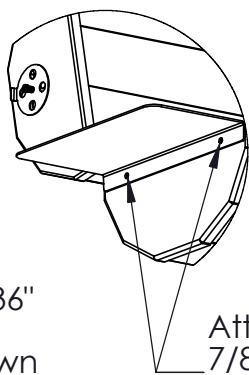
20516-001 24"
Inground
Mount Shown



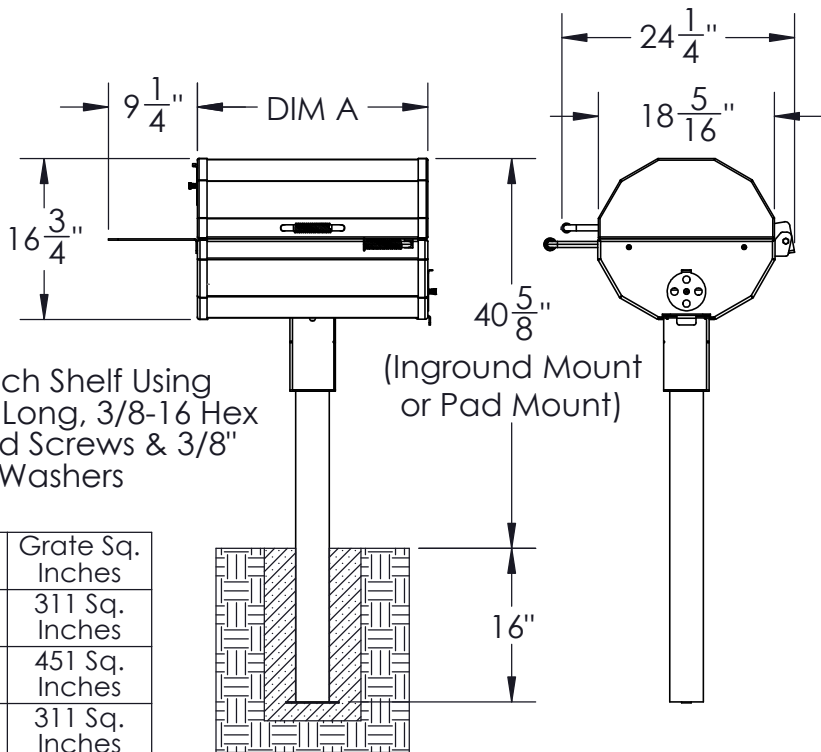
20516-003 24"
Pad Mount
Shown



20516-002 36"
Inground
Mount Shown



Attach Shelf Using
7/8" Long, 3/8-16 Hex
Head Screws & 3/8"
Flat Washers



WARNING: MUST BE PERMANENTLY MOUNTED

- Smoker grill has an adjustable vent located below the fire grate for greated control of the heat.
- Grill body is constructed from 10 Ga. thick Steel.
- Grill cover is constructed from 14 Ga. thick Steel.
- Multiple bends in bottom & cover provide added strength.
- A universal sided single shelf is included, but a second shelf can be attached on the opposite side as an option.
- Cooking & fire grates are non adjustable made from 1/2" Dia. A36 steel bars located on 1-1/8" centers.
- Grate handle is constructed from a 5/8" Dia. A36 steel bar with stay cool spring grip, suitable for public use.
- Grill is supported by a heavy duty 3-1/2" Dia. pipe.
- A theft proof base allows the grill to attach to the pipe & rotate 360 degrees.
- All exposed corners are chamfered for safety.
- Standard finish is a non-toxic black powder coat.

Part Number	Description	Dim A	Estimated Weight	Grate Sq. Inches
20516-001	24" Smoker Grill Inground Mount	24"	130 Lbs.	311 Sq. Inches
20516-002	36" Smoker Grill Inground Mount	36"	170 Lbs.	451 Sq. Inches
20516-003	24" Smoker Grill Pad Mount	24"	130 Lbs.	311 Sq. Inches
20516-004	36" Smoker Grill Pad Mount	36"	170 Lbs.	451 Sq. Inches

CUSTOMER APPROVAL :

DATE :

JAMESTOWN
ADVANCED
PRODUCTS
CORPORATION

THIS DRAWING, WHICH CONTAINS PROPRIETARY INFORMATION, IS THE PROPERTY OF JAMESTOWN ADVANCED PRODUCTS CORPORATION. IT SHALL NOT BE REPRODUCED IN ANY MANNER NOR DISCLOSED TO THIRD PARTIES WITHOUT WRITTEN PERMISSION OF JAMESTOWN ADVANCED PRODUCTS CORPORATION.

DATE : 8/13/24

PRODUCT PART NUMBER : 20516

REV. NO.

PRODUCT DESCRIPTION :

24" & 36" SMOKER GRILL

2855 GIRTS ROAD
JAMESTOWN, NY 14701

PHONE 800-452-0639 -- FAX 716-483-5398 -- WWW.JAMESTOWNADVANCED.COM